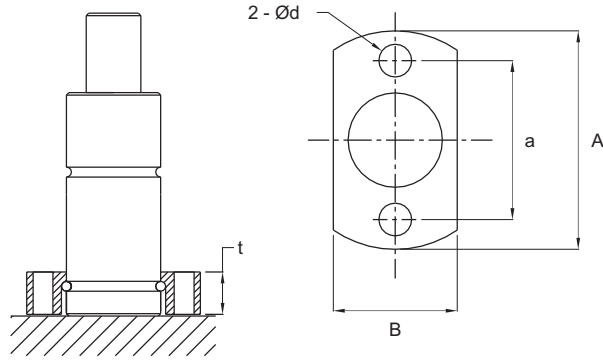
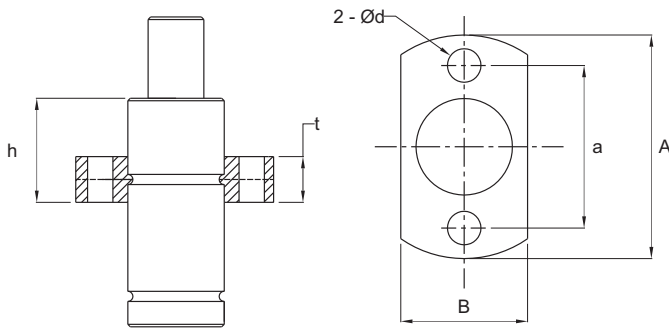


▶ BTCA



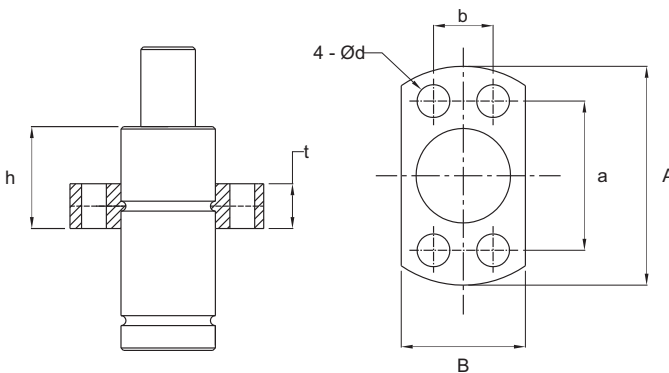
TYPE	A	a	B	d	t
19-BTCA	45	32	25	7	9.2
25-BTCA	50	38	30	7	9.2

▶ TPCA



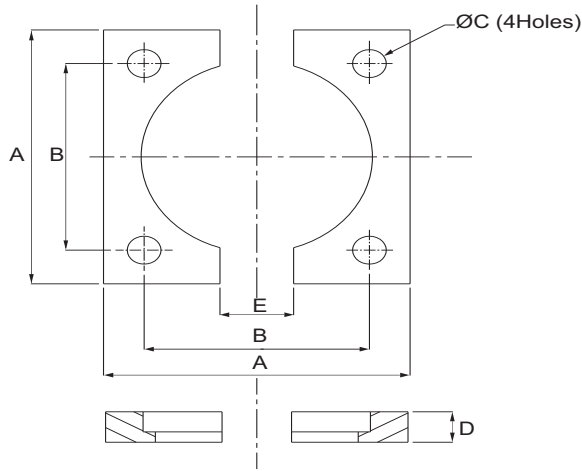
TYPE	A	a	B	d	t	h
19-TPCA	45	32	25	6.6	9	20.5
25-TPCA	50	38	30	6.6	9	20.5

▶ TPCB



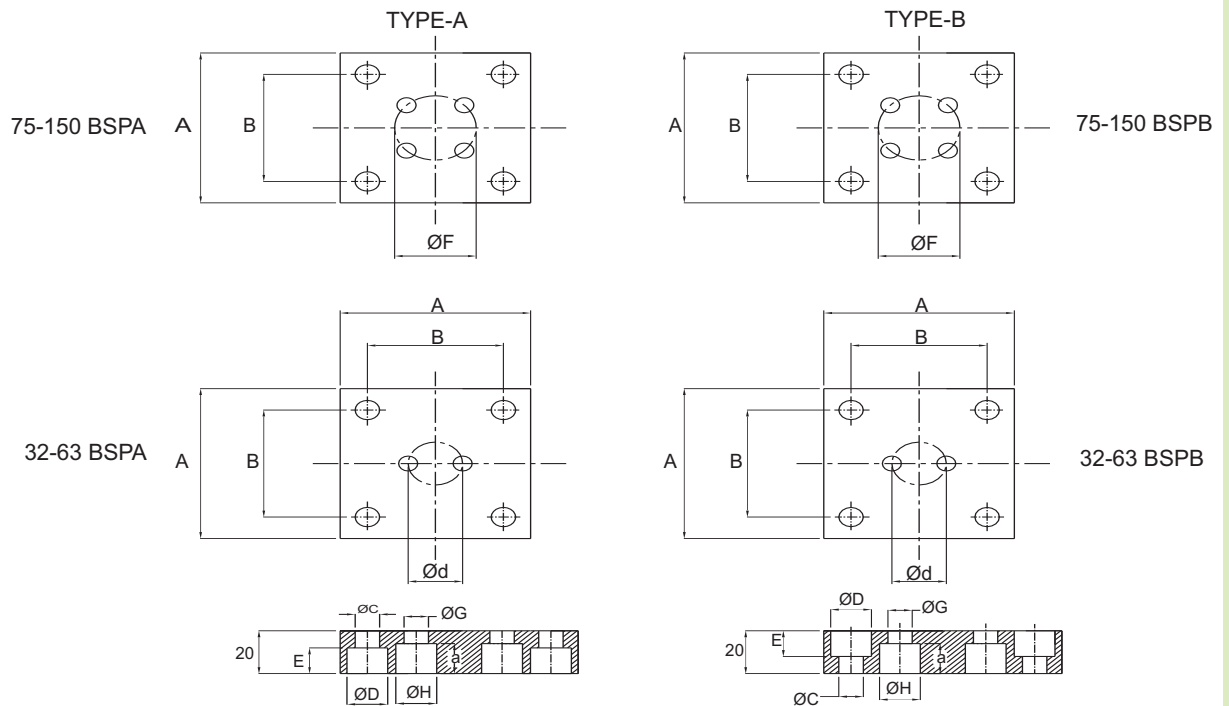
TYPE	A	a	B	b	d	t	h
19-TPCB	45	30	25	12	6.6	9	20.5
25-TPCB	50	34	30	18	6.6	9	20.5

▶ BTC



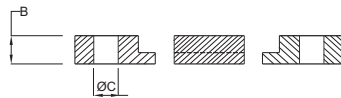
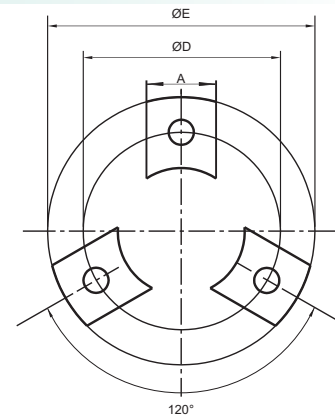
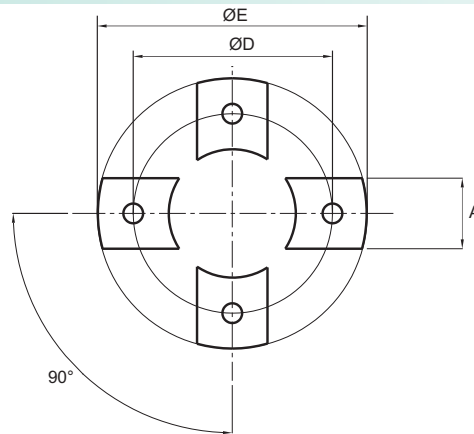
Type	A	B	ØC	D	E
32-BTC	50	35	7	7	12
38-BTC	55	40	7	7	12
45-BTC	70	50	9	7	20
50-BTC	75	56.5	9	12	24
63-BTC	100	73.5	11	12	24
75-BTC	100	73.5	11	12	24
95-BTC	120	92	13.5	12	24
120-BTC	140	109.5	13.5	12	24
150-BTC	190	138	17.5	12	24
195-BTC	210	170	17.5	13	24

▶ BSP



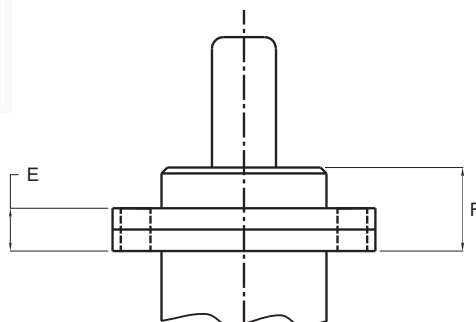
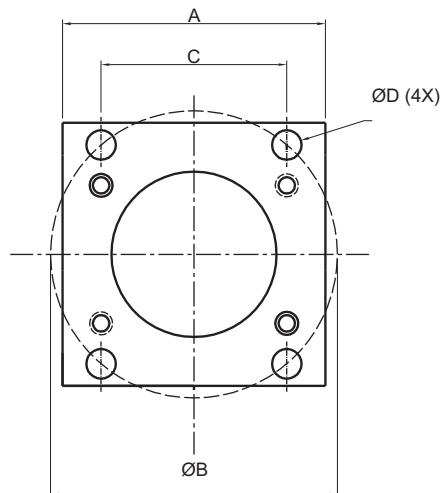
TYPE	A	B	ØC	ØD	E	Ød	ØF	ØG	ØH	a
45-BSP(A/B)	70	50	9	15	12	20	-	9	15	12
50-BSP(A/B)	75	56.5	9	15	12	20	-	9	15	12
50-BSP(A/B)-S2	75	56.5	9	15	12	31.7	-	9	15	12
63-BSP(A/B)	100	73.5	11	18	12	20	-	9	15	12
75-BSP(A/B)	100	73.5	11	18	14	-	40	9	15	12
75-BSP(A/B)-S2	100	73.5	11	18	14	-	53.9	9	15	12
95-BSP(A/B)	120	92	13.5	20	13	-	60	9	15	14
95-BSP(A/B)-S2	120	92	13.5	20	13	-	76.2	9	15	14
120-BSP(A/B)	140	109.5	13.5	20	13	-	80	11	18	15
150-BSP(A/B)	190	138	17.5	26	17	-	100	11	18	15
195-BSP(A/B)	210	170	17.5	26	17	-	120	13.5	20	15

► SPC



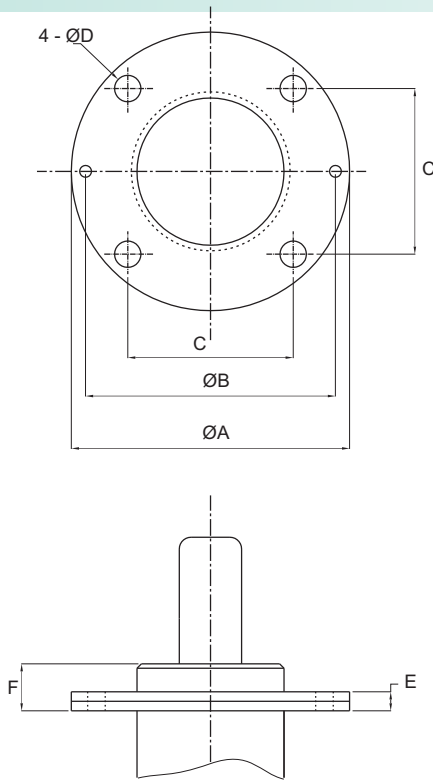
TYPE	A	B	ØC	ØD	E
38-SPC	20	7	7	56.6	76.6
45-SPC	25	7	9	70.7	95.8
50-SPC	30	12	9	80	110
63-SPC	30	12	11	92	122
75-SPC	30	12	11	104	134
95-SPC	40	12	13	130	170
120-SPC	50	12	13	155	195
150-SPC	50	12	17	195	220

► STPC



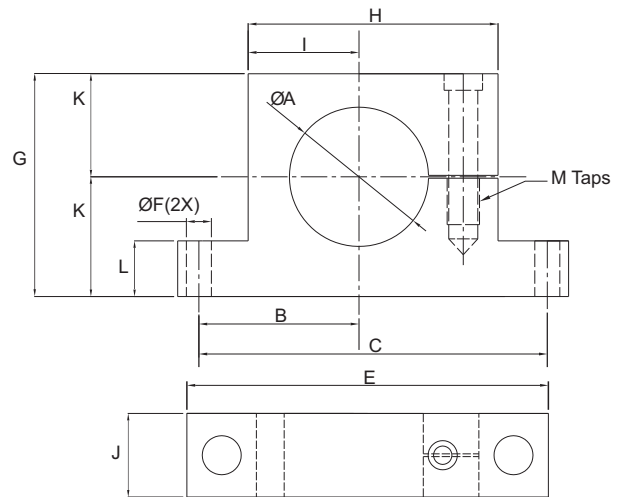
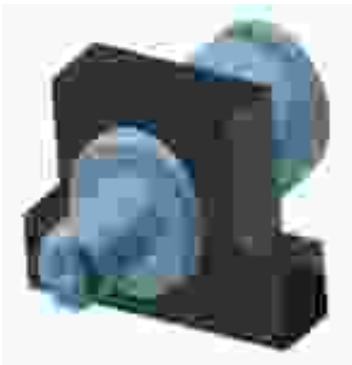
TYPE	A	ØB	C	ØD	E	F
32-STPC	45	49.5	35	7	9	15
38-STPC	52	56.5	40	7	9	15
45-STPC	64	70.7	50	9	13	21
50-STPC	70	80	56.5	9	13	21
63-STPC	90	104	73.5	11	16	24
75-STPC	90	104	73.5	11	16	26
95-STPC	110	130	92	13.5	18	30
120-STPC	130	155	109.5	13.5	21	33
150-STPC	162	195	138	17.5	27	38
195-STPC	210	240.4	170	17.5	27	44

▶ TPC



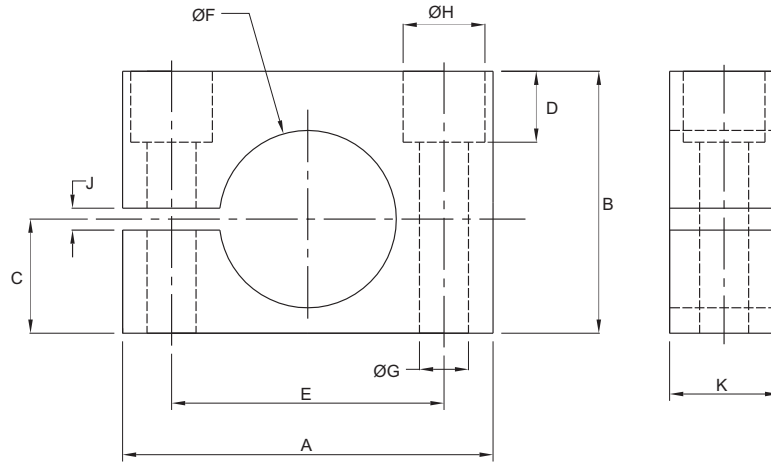
TYPE	ØA	ØB	C	ØD	E	F
32-TPC	60	49.5	35	7	9	15
38-TPC	68	56.5	40	7	9	15
45-TPC	86	70.7	50	9	13	21
50-TPC	95	80	56.5	9	13	21
63-TPC	122	104	73.5	11	16	24
75-TPC	122	104	73.5	11	16	26
95-TPC	150	130	92	13.5	18	30
120-TPC	175	155	109.5	13.5	21	33
150-TPC	220	195	138	17.5	27	38
195-TPC	290	240.4	170	17.5	27	44

▶ FLC



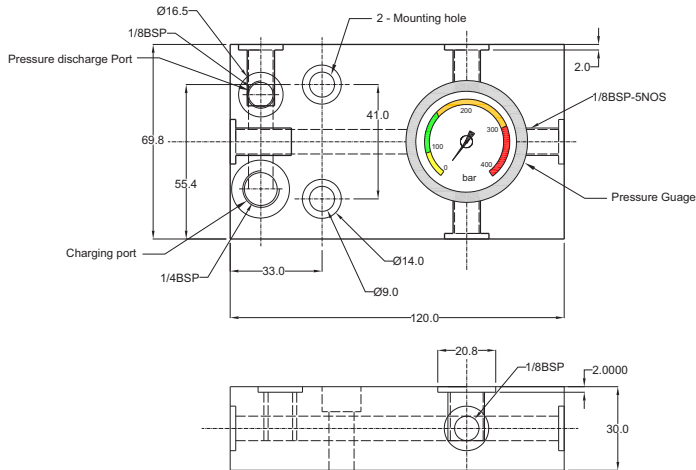
TYPE	ØA	B	C	E	ØF	G	H	I	J	K	L	M Taps
32-FLC	32	31	72	90	9	45	54	22	20	22.5	15	M8
38-FLC	38	34	77	95	9	55	59	25	20	27.5	15	M8
45-FLC	45	37	82	100	9	60	64	28	20	30	15	M8
50-FLC	50	50	110	130	9	80	90	40	30	40	20	M8
63-FLC	63	49.5	123	146	11	90	102	39	30	45	20	M8
75-FLC	75	63.5	137	160	11	105	115	52.5	30	52.5	20	M10
95-FLC	95	80	170	195	13.5	125	145	67.5	30	62.5	20	M12
120-FLC	120	92.5	195	220	13.5	148	165	77.5	30	74	20	M12
150-FLC	150	110	230	260	13.5	200	200	95	30	100	20	M12

FLCA



TYPE	A	B	C	D	E	F	G	H	J	K
32-FLCA	68	48	20.9	10	50	32.5	9	15	4	20
38-FLCA	74	54	23.9	16	54	38.5	9	15	4	20
45-FLCA	80	60	27.5	22	60	45.5	9	15	4	20
50-FLCA	90	70	30	25	68	50.5	11	18	5	30
63-FLCA	108	82	36.5	27	84	63.5	11	18	5	30
75-FLCA	125	94	42	32	100	75.5	13.5	20	5	30
95-FLCA	140	115	52.5	33	115	95.5	13.5	20	5	30
120-FLCA	170	140	65	58	145	120.5	13.5	20	7	30
150-FLCA	200	170	80	68	175	150.5	13.5	20	7	30

Standard Control Panel - NFS-CP1



Order Code : Code Example : NFS-CP1